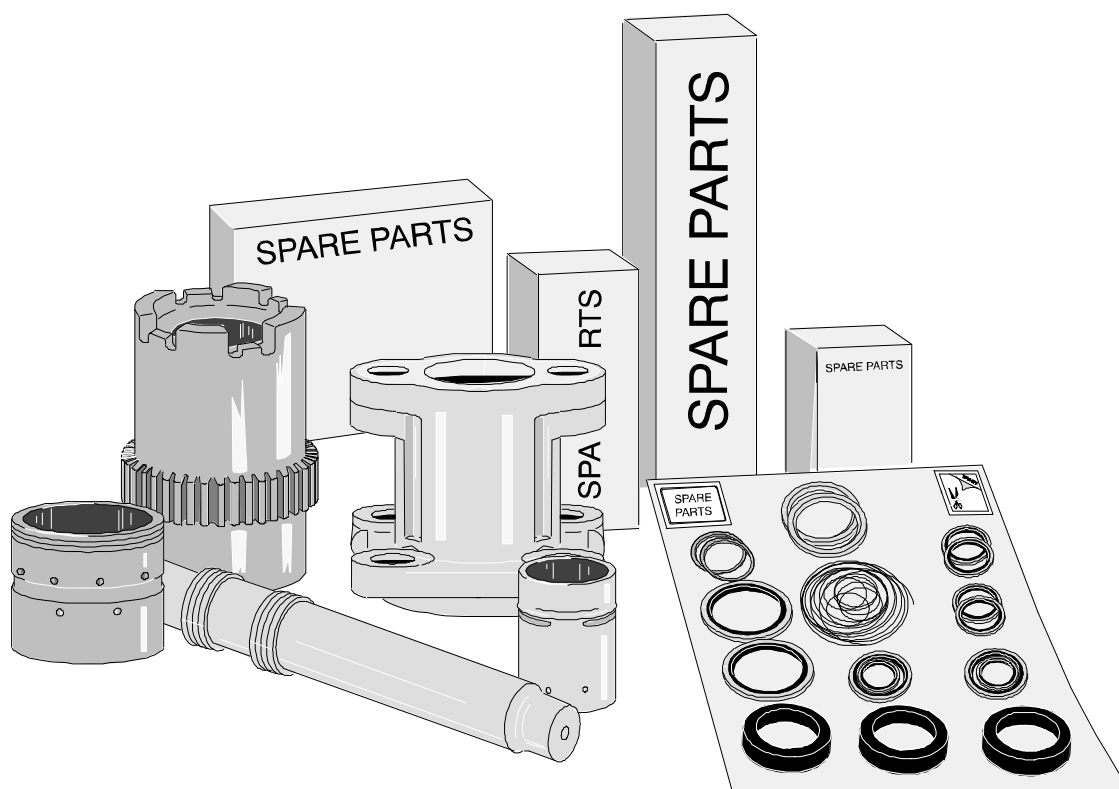




# IDENTIFICATION CARD

---



**2. IDENTIFICATION CARD**

\* UNIT IDENTIFICATION CARD.....

**UNIT IDENTIFICATION CARD**

Sandvik DS510-C  
SERIAL NO: 112B18849-1

<i>Component</i>	<i>Code or Value</i>	<i>Serial no. / Manufact.</i>
<b>EQUIPMENT</b>		
Equipment main assembly	552 093 83	
Ordered by		
Customer		
Country	SWEDEN	
Ref.no.		

---

**CIRCUIT DIAGRAMS**

---

**HYDRAULICS**

<b>Carrier</b>	
Carrier	551 613 25
Fuel system	550 957 93
Steering and brake	550 860 57
Drilling/carrier module	551 608 08
Air / water	551 610 55
Lubrication	551 871 00
<b>Boom module</b>	
Drilling	551 944 54
Boom SB 120S	550 999 38
-kit for the die-cutted hoses	551 715 71
Lubrication	551 592 97
<b>Bolting module</b>	
Drilling	552 187 67
Bolting head	551 950 54
Injection head	551 949 49
Lubrication	550 110 11
Cement line	551 604 77



SANDVIK MINING AND CONSTRUCTION  
UNDERGROUND DRILLS  
P.O.Box 100  
FIN 33311 TAMPERE, FINLAND  
Tel. +358 205 44 121  
Telefax +358 205 44 120

**UNIT IDENTIFICATION CARD**

Sandvik DS510-C  
SERIAL NO: 112B18849-1

<i>Component</i>	<i>Code or Value</i>	<i>Serial no. / Manufact.</i>
<b>CIRCUIT DIAGRAMS</b>		
<b>ELECTRICS</b>		
Main switchgear	552 103 41	
Main circuit	552 103 44	
Control systems	552 230 65	
Control circuit	552 213 98	
Carrier circuit	552 137 37	
Carrier system	551 566 02	
Jacks control circuit	551 730 71	
Outlet transformer	551 531 02	
Outlet transformer	551 531 06	
Autom.resin injection	550 875 24	
Electrical assembly	770 121 46	
Fire prevention system	551 671 27	
Measuring equipment	552 195 56	
<b>ROCK DRILLS</b>		
RD 314	552 188 78	A033024
<b>FEED</b>		
KS140/ BH27	550 967 02	A04823
Front centralizer	550 962 79	
Feed mechanism	173 466 62	
-feed motor OMR80	550 163 47	W84831031
<b>BOLT FEED</b>		
BH 27	208 046 04	A04824
Feed mechanism	095 578 18	
-feed motor OMR315	550 163 53	N00357072



SANDVIK MINING AND CONSTRUCTION  
UNDERGROUND DRILLS  
P.O.Box 100  
FIN 33311 TAMPERE, FINLAND  
Tel. +358 205 44 121  
Telefax +358 205 44 120

**UNIT IDENTIFICATION CARD**

Sandvik DS510-C  
SERIAL NO: 112B18849-1

<i>Component</i>	<i>Code or Value</i>	<i>Serial no. / Manufact.</i>
<b>BOLTING MODULE</b>		
BH 27 C	552 093 74	A14029
<b>Bolting boom head</b>		
BH 27	551 730 36	
-turning head	550 619 17	AM/KP1 11 ser. 23
<b>HYRAULIC CYLINDERS</b>		
Indexing	325 432 28	HL 37/11
Extension	166 233 05	HL 39/11
Ground pin	176 607 18	HL 45/11
Injection	321 670 27	-
Gripping jaws turning	550 077 36	HL 41/11
Gripping jaws	551 724 44	
Cylinder	550 137 39	HL 38/11
<b>OTHER</b>		
Bolt magazine BH 18-30	550 966 38	
-rotation motor OMR 160	550 163 51	
<b>BOOM 2</b>		
SB 120S	550 933 77	A12564
-inner pipe	550 924 51	TW RE T 2011 ser. 41
-outer pipe	550 935 02	TW ER T 2011 ser. 41 rev. M
<b>HYDRAULIC CYLINDERS</b>		
Torgue motor	551 740 56	27088 A
Boom lift	551 548 63	HL 41/11
Boom swing	551 553 58	HL 41/11
Zoom cylinder	551 583 80	HL 13/11
Feed tilt	551 709 07	HL 07/11
Feed swing	352 567 76	HL 37/11
<b>VALVES</b>		
Valve assy	550 475 90	
Valve assy	328 762 61	



SANDVIK MINING AND CONSTRUCTION  
UNDERGROUND DRILLS  
P.O.Box 100  
FIN 33311 TAMPERE, FINLAND  
Tel. +358 205 44 121  
Telefax +358 205 44 120

# UNIT IDENTIFICATION CARD

Sandvik DS510-C  
SERIAL NO: 112B18849-1

<i>Component</i>	<i>Code or Value</i>	<i>Serial no. / Manufact.</i>
<b>CONTROL PANEL</b>		
TPC 510	552 196 93	
<b>CABIN MODULE</b>		
Cabin	551 668 84	11832
-key		1011
Heater	551 668 98	
Lights	551 537 43	
Spotlight	550 987 12	
Switch key		14603
<b>POWERPACK</b>		
HP 355	550 661 20	A02452
Electric motor	884 200 99	185423/0044H
Current		1000V50Hz/55kW
Piston pump	777 942 05	32974871
Gear pump	550 394 69	35/11-21223721/006
Return filter	550 605 76	
-filter element	867 272 89	



SANDVIK MINING AND CONSTRUCTION  
UNDERGROUND DRILLS  
P.O.Box 100  
FIN 33311 TAMPERE, FINLAND  
Tel. +358 205 44 121  
Telefax +358 205 44 120

**UNIT IDENTIFICATION CARD**

Sandvik DS510-C  
SERIAL NO: 112B18849-1

<i>Component</i>	<i>Code or Value</i>	<i>Serial no. / Manufact.</i>
<b>ELECTRIC EQUIPMENT</b>		
Main switch MP-1000V-DS400/500-CAB	552 103 39	1000V50Hz 110kW
<b>AIR AND WATER CIRCUIT COMPONENTS</b>		
Water pump CR 3-19	551 988 42	
Water separator assy IP 5	552 010 38	66891, 2011
Pressure reducing valve	550 719 13	
Oil cooler OW 30	887 179 09	
<b>COMPRESSOR</b>		
CT 16	552 051 61	F017104
<b>CENTRAL OILER</b>		
SLU 14-1	550 028 92	
<b>CABLE REEL</b>		
TCR 3E L	551 643 06	1511
-piston motor	550 439 89	
<b>WATER REEL</b>		
THR 5E	551 797 32	
-hydr.motor OMS80	813 078 19	
-water hose	552 000 09	1¼" 130m



SANDVIK MINING AND CONSTRUCTION  
UNDERGROUND DRILLS  
P.O.Box 100  
FIN 33311 TAMPERE, FINLAND  
Tel. +358 205 44 121  
Telefax +358 205 44 120

# UNIT IDENTIFICATION CARD

Sandvik DS510-C  
SERIAL NO: 112B18849-1

<i>Component</i>	<i>Code or Value</i>	<i>Serial no. / Manufact.</i>
<b>CARRIER</b>		
TC 8	552 093 65	
-rear	551 710 45	KO 3083 TK 2011 ser.13
-front	550 632 75	KO 3215 TK 2011 ser.13 E
Engine assembly	550 747 83	
-steering pump assembly	550 472 41	39/11-21493297/009
-engine MB 170kW	550 659 08	D906.991-000-0723-881402
-gearbox	550 587 00	13.5HR 32369-638 PBEA 395238 08/11
Fuel system	550 982 69	
Exhaust piping	550 763 26	
-purifier/ silencer	550 382 80	FK 16 D4-024-002/4211
-exhaust silencer	047 103 02	DONALDSON
Front axle 113/52	550 458 21	P-ITA 756312
Rear axle 113/61	550 576 80	P-ITA 748848
Steering cylinder 2x	550 646 69	HL33/11
Wheel assembly 4x	550 887 68	14.00 – 24 PR28 Nokia
-rim (plate)	550 423 66	12/2010 LF 12/2010 RF 12/2010 LR 12/2010 RR
Pressure		
Front 10	bar	
Rear 10	bar	

## EQUIPMENT

Jacks		
-front 2x	550 696 73	HL22/11,HL33/11
-rear 2x	550 493 89	HL27/11,HL32/11
Jack beam	550 761 56	RL 2011
-cylinder	550 338 16	HL40/11
Boom support	551 730 03	RL 2011 ser.A
Counterweight	550 765 08	3 x 200 kg
Counterweight	551 673 17	2 x 535 kg



SANDVIK MINING AND CONSTRUCTION  
UNDERGROUND DRILLS  
P.O.Box 100  
FIN 33311 TAMPERE, FINLAND  
Tel. +358 205 44 121  
Telefax +358 205 44 120



# UNIT IDENTIFICATION CARD

Sandvik DS510-C  
SERIAL NO: 112B18849-1

<i>Component</i>	<i>Code or Value</i>	<i>Serial no. / Manufact.</i>
<b>OPTION MODULE</b>		
Air condition assy	552 042 45	
-compressor/condessor	552 040 01	1011932651
-hosing	551 613 45	
-hosing	550 776 45	
-air conditioning refrigerant		R134 2000g
High press. washing unit	552 112 08	
-hosing	550 971 76	
Fire extinguisher system	552 000 66	
-ansul	853 276 29	LT-A-101-30
-hosing	550 910 88	
Fire extinguisher assembly	551 948 48	
-hand fire extinguisher	551 874 00	RP-A-20-G-E
Valve attachments	551 563 26	
Heater assembly	552 008 22	
-set	552 008 23	
Greasing unit	550 751 09	
-hosing	550 996 01	
-hosing	550 772 83	
Cable reel control	551 747 57	
-hosing	550 793 21	
Cabin tilt assembly	550 750 76	
-hosing	550 772 78	
-cylinder x2	144 900 03	HL41/11
Boot washer	550 751 06	
-hosing	550 884 29	
Position lights assembly	552 000 70	
Diesel stop buttons	550 800 27	
Grease unit	550 885 68	
-hosing	550 884 65	
Bolt rack	550 878 64	



SANDVIK MINING AND CONSTRUCTION  
UNDERGROUND DRILLS  
P.O.Box 100  
FIN 33311 TAMPERE, FINLAND  
Tel. +358 205 44 121  
Telefax +358 205 44 120

# UNIT IDENTIFICATION CARD

Sandvik DS510-C  
SERIAL NO: 112B18849-1

<i>Component</i>	<i>Code or Value</i>	<i>Serial no. / Manufact.</i>
<b>OPTION MODULE</b>		
Power points,230V,400V	552 083 94	
Pressure switch for ABA	550 910 90	
-hosing	550 910 89	
Resin unit and air blowing	552 110 81	
-hosing	551 738 99	
-air receiver assembly	551 732 37	
-pressure vessel	551 724 50	63967, 2011
Automatic resin shooting system assembly ARI	550 943 76	
Bracket for reels	550 970 11	
Air and water outlet	550 970 94	
Reverse camera mounting	551 750 66	
Bolting instrumentation	552 268 46	

## NOTES

Total weight	29100 kg
Front axle	18800 kg
Rear axle	10300 kg
Date 07.11.2012	
Inspector	Veijo Grönlund/ Harri Teerinen



SANDVIK MINING AND CONSTRUCTION  
UNDERGROUND DRILLS  
P.O.Box 100  
FIN 33311 TAMPERE, FINLAND  
Tel. +358 205 44 121  
Telefax +358 205 44 120